

The 'AM' range of high quality surface linear and modular luminaires are designed to add shape and visual interest for the modern interior.

The canopy is constructed from a rounded aluminium extrusion with solid ends and finished RAL9010 20% gloss ; alternative paint finishes available on request.

Fused high frequency control gear is offered as standard with analogue or digital dimmable control gear optional.

Two louvre attachments are available as standard including a low iridescent specular (Cat.2 200) and semi specular (Cat.2 500) Miro wedge louvre matching lamp configuration and retained by positive locating spring clips.

For lower specification areas a one piece polycarbonate Tp (a) dish controller is available.



SPECIFICATION

Body

- Rigidly constructed extruded aluminium body
- Integral fused high frequency control gear
- Alternative gear options available
- Luminaire shown AM312 236/WB2
- Three backplate formats available
- 'Spiderpak' wire suspension kit for 1.0m and 2.0m drop
Add suffix 'SP1' and 'SP2' respectively

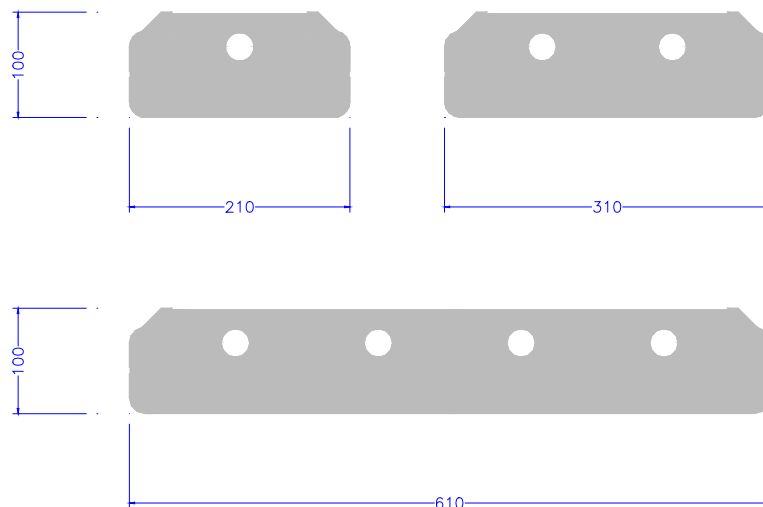
Options

- **WB2** : 200 cd. specular Miro wedge louvre
- **WB5** : 500 cd. semi specular wedge louvre
- **PDP** : Polycarbonate Tp (a) prismatic dish diffuser

Up / Downlighting suffix :-

- /90** 90% Downward 10% Upward light output
- /70** 70% Downward 30% Upward light output

- /SP1** 1.0m wire suspension 'Spiderpak' kit
- /SP2** 2.0m wire suspension 'Spiderpak' kit



Cat. No.	Dimensions	Lampways	Approx. Wt.
AM212 136/WB2	210 x 1260 x 100	1 x 1200mm 36w T8	6.6 kg
AM312 236/WB2	310 x 1260 x 100	2 x 1200mm 36w T8	8.7 kg
AM215 158/WB2	210 x 1560 x 100	1 x 1500mm 58w T8	8.3 kg
AM315 258/WB2	310 x 1560 x 100	2 x 1500mm 58w T8	11.0 kg
AM66 318/WB2	610 x 650 x 100	3 x 600mm 18w T8	8.9 kg
AM66 418/WB2	610 x 650 x 100	4 x 600mm 18w T8	9.2 kg
AM612 336/WB2	610 x 1260 x 100	3 x 1200mm 36w T8	14.1 kg
AM612 436/WB2	610 x 1260 x 100	4 x 1200mm 36w T8	15.4 kg

Change WB2 suffix to alternative if required e.g. AM312 236/WB2 becomes AM312 236/PDP

EMERGENCY Add suffix to above catalogue references

/M3 Integrally mounted self contained 3 hour emergency

/ST Integral 'Self Test' for emergency luminaires only
i.e. AM66 318/WB2/M3/ST