

The 'Asraam' range of surface linear and modular luminaires are designed to utilise the advantages of T5 lamp technology making it ideally suited for the modern interior.

The canopy is constructed from extruded aluminium sides with laser cut endplates finished RAL9010 20% gloss, creating a sleek and pleasing profile. Alternative paint finishes available on request.

Diversity is further enhanced with three backplate formats allowing for direct surface mount; 10% uplighting and 30% uplighting.

Fused high frequency control gear is offered as standard with analogue or digital dimmable control gear optional. High output T5 lamp control gear is also available.



Four louvre attachments are available as standard including a low iridescent specular (Cat.2 200) and semi specular (Cat.2 500) Miro wedge louvre to match lamp configuration and retained by positive locating leaf springs. For lower specification areas a one piece polycarbonate Tp (a) dish controller is available.

SPECIFICATION

Body

- Individual or continuously mounting with corner units
- Inter-connecting wiring facility for continuous mounting
- Rigidly constructed body
- Integral fused high frequency control gear
- Alternative gear options available
- Luminaire shown AS123 228/WB2/SP1
- Three backplate formats
- 'Spiderpak' wire suspension kit for 1.0m and 2.0m drop
Add suffix 'SP1' and 'SP2' respectively

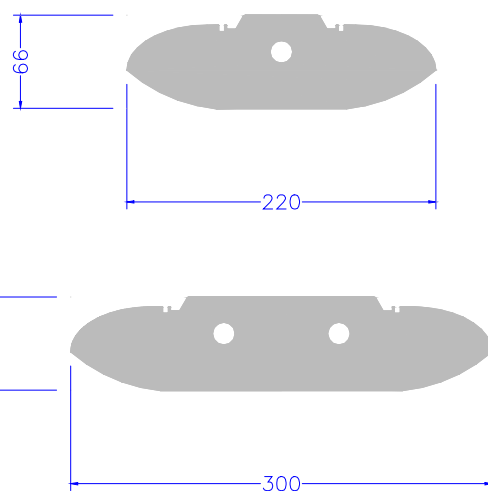
Options

- **WB2** : 200 cd. specular Miro wedge louvre
- **WB5** : 500 cd. semi specular wedge louvre
- **WSW** : Semi specular wedge with white reflector louvre
- **WBL** : White blade with semi specular reflector louvre
- **PDP** : Polycarbonate Tp (a) prismatic dish diffuser

Up / Downlighting suffix :-

- /90** 90% Downward 10% Upward light output
- /70** 70% Downward 30% Upward light output

- /SP1** 1.0m wire suspension 'Spiderpak' kit
- /SP2** 2.0m wire suspension 'Spiderpak' kit



Cat. No.	Dimensions	Lampways	Approx. Wt.
AS122 128/WB2	220 x 1182 x 66	1 x 1200mm 28w T5	6.2 kg
AS123 228/WB2	300 x 1182 x 66	2 x 1200mm 28w T5	6.4 kg
AS152 135/WB2	220 x 1482 x 66	1 x 1500mm 35w T5	7.9 kg
AS153 235/WB2	300 x 1482 x 66	2 x 1500mm 35w T5	8.1 kg
AS66 314/WB2	600 x 582 x 66	3 x 600mm 14w T5	5.0 kg
AS66 414/WB2	600 x 582 x 66	4 x 600mm 14w T5	5.1 kg
AS66 3x114/WB2	600 x 582 x 66	3x1 600mm 14w T5	5.0 kg
AS66 2x214/WB2	600 x 582 x 66	2x2 600mm 14w T5	5.2 kg

Change WB2 suffix to alternative if required e.g. AS123 228/WB2 becomes AS123 228/PDP

EMERGENCY Add suffix to above catalogue references

/M3 Integrally mounted self contained 3 hour emergency

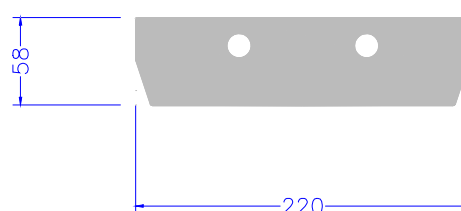
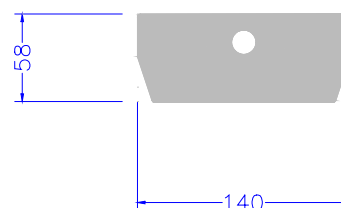
/ST Integral 'Self Test' for emergency luminaires only
i.e. AS66 314/WB2/M3/ST

The 'SM' range of surface linear and modular luminaires are designed to utilise the advantages of T5 lamp technology making it ideally suited for the modern interior.

The canopy is constructed from zinc coated sheet steel with perforated sides and finished RAL9010 20% gloss, creating a sleek and pleasing profile. Alternative paint finishes available on request.

Fused high frequency control gear is offered as standard with analogue or digital dimmable control gear optional. High output T5 lamp control gear is also available.

Four louvre attachments are available as standard including a low iridescent specular (Cat.2 200) and semi specular (Cat.2 500) Miro wedge louvre to match lamp configuration and retained by positive locating leaf springs. For lower specification areas a one piece polycarbonate Tp (a) dish controller is available.



SPECIFICATION

Body

- Rigidly constructed body with welded ends
- Integral fused high frequency control gear
- Alternative gear options available
- Luminaire shown SM122 228/WBL
- 'Spiderpak' wire suspension kit for 1.0m and 2.0m drop Add suffix 'SP1' and 'SP2' respectively

Options

- **WB2** : 200 cd. specular Miro wedge louvre
- **WB5** : 500 cd. semi specular wedge louvre
- **WSW** : Semi specular wedge with white reflector louvre
- **WBL** : White blade with semi specular reflector louvre
- **PDP** : Polycarbonate Tp (a) prismatic dish diffuser

Suspension kits :-

- /SP1** 1.0m wire suspension 'Spiderpak' kit
- /SP2** 2.0m wire suspension 'Spiderpak' kit

Cat. No.	Dimensions	Lampways	Approx. Wt.
SM121 128/WB2	140 x 1195 x 58	1 x 1200mm 28w T5	6.4 kg
SM122 228/WB2	220 x 1195 x 58	2 x 1200mm 28w T5	6.5 kg
SM151 135/WB2	140 x 1495 x 58	1 x 1500mm 35w T5	8.2 kg
SM152 235/WB2	220 x 1495 x 58	2 x 1500mm 35w T5	8.3 kg
SM66 314/WB2	600 x 595 x 58	3 x 600mm 14w T5	5.3 kg
SM66 414/WB2	600 x 595 x 58	4 x 600mm 14w T5	5.4 kg
SM66 3x114/WB2	600 x 595 x 58	3x1 600mm 14w T5	5.3 kg
SM66 2x214/WB2	600 x 595 x 58	2x2 600mm 14w T5	5.5 kg

Change WB2 suffix to alternative if required e.g. SM121 128/WB2 becomes SM121 128/PDP

EMERGENCY Add suffix to above catalogue references

/M3 Integrally mounted self contained 3 hour emergency

/ST Integral 'Self Test' for emergency luminaires only i.e. SM66 314/WB2/M3/ST

The 'RM' range of recessed modular luminaires are designed to utilise the advantages of T5 lamp technology. With a recess depth of only 60mm clear advantages can be easily used when designing the modern office.

The canopy is constructed from zintec sheet steel with perforated or solid infill sections finished 30% gloss. Alternative paint finishes available on request.

Fused high frequency control gear is offered as standard with analogue or digital dimmable control gear optional. High output T5 lamp control gear is also available.

Four louvre attachments are available as standard including a low iridescent specular (Cat.2 200) and semi specular (Cat.2 500) Miro wedge louvre to match lamp configuration and retained by positive locating spring clips.



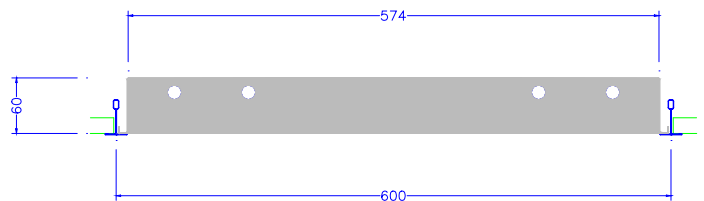
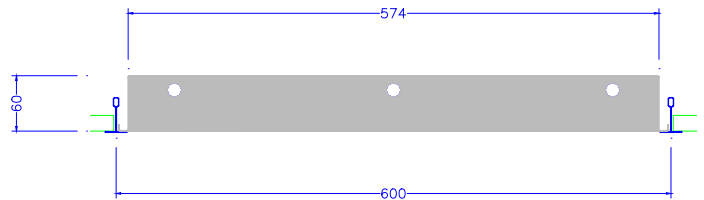
SPECIFICATION

Body

- Rigidly constructed zintec sheet steel body
- Suitable for exposed T and concealed grid ceiling types
- Integral fused high frequency control gear
- Alternative gear options available
- Luminaire shown RM66 3x114/WB2
- Easy to use side suspension brackets (Concealed grid version)

Options

- **WB2** : 200 cd. specular Miro wedge louvre
- **WB5** : 500 cd. semi specular wedge louvre
- **WSW** : Semi specular wedge with white reflector louvre
- **WBL** : White blade with semi specular reflector louvre
- **AH** : 25 litres per second air handling
- **SA13** : Suitable for SAS130 ceiling grid (alternative systems available to order)
- **DO** : Dropped diffused side defectors; prefix louvre attachment e.g. **DOWB2**
- **DP** : Dropped perforated side defectors; prefix louvre attachment e.g. **DPWB2**



Cat. No.	Dimensions	Lampways	Approx. Wt.
RM123 128/WB2	274 x 1174 x 60	1 x 1200mm 28w T5	6.4 kg
RM123 228/WB2	274 x 1174 x 60	2 x 1200mm 28w T5	6.5 kg
RM153 135/WB2	274 x 1474 x 60	1 x 1500mm 35w T5	8.2 kg
RM153 235/WB2	274 x 1474 x 60	2 x 1500mm 35w T5	8.3 kg
RM66 314/WB2	574 x 574 x 60	3 x 600mm 14w T5	5.3 kg
RM66 414/WB2	574 x 574 x 60	4 x 600mm 14w T5	5.4 kg
RM66 3x114/WB2	574 x 574 x 60	3x1 600mm 14w T5	5.3 kg
RM66 2x214/WB2	574 x 574 x 60	2x2 600mm 14w T5	5.5 kg

Change WB2 suffix to alternative if required e.g. RM123 128/WB2 becomes RM123 128/WBL

EMERGENCY Add suffix to above catalogue references

/M3 Integrally mounted self contained 3 hour emergency

/ST Integral 'Self Test' for emergency luminaires only i.e. RM66 314/WB2/M3/ST

The 'AM' range of high quality surface linear and modular luminaires are designed to add shape and visual interest for the modern interior.

The canopy is constructed from a rounded aluminium extrusion with solid ends and finished RAL9010 20% gloss ; alternative paint finishes available on request.

Fused high frequency control gear is offered as standard with analogue or digital dimmable control gear optional.

Two louvre attachments are available as standard including a low iridescent specular (Cat.2 200) and semi specular (Cat.2 500) Miro wedge louvre matching lamp configuration and retained by positive locating spring clips.

For lower specification areas a one piece polycarbonate Tp (a) dish controller is available.



SPECIFICATION

Body

- Rigidly constructed extruded aluminium body
- Integral fused high frequency control gear
- Alternative gear options available
- Luminaire shown AM312 236/WB2
- Three backplate formats available
- 'Spiderpak' wire suspension kit for 1.0m and 2.0m drop
Add suffix 'SP1' and 'SP2' respectively

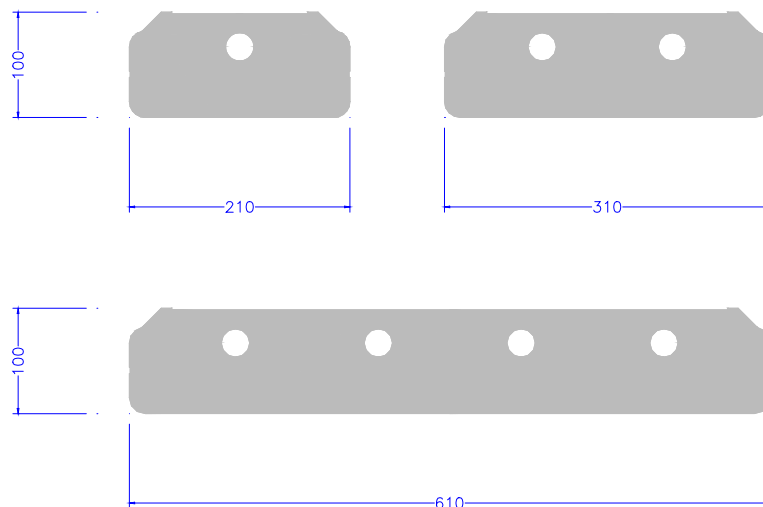
Options

- **WB2** : 200 cd. specular Miro wedge louvre
- **WB5** : 500 cd. semi specular wedge louvre
- **PDP** : Polycarbonate Tp (a) prismatic dish diffuser

Up / Downlighting suffix :-

- /90** 90% Downward 10% Upward light output
- /70** 70% Downward 30% Upward light output

- /SP1** 1.0m wire suspension 'Spiderpak' kit
- /SP2** 2.0m wire suspension 'Spiderpak' kit



Cat. No.	Dimensions	Lampways	Approx. Wt.
AM212 136/WB2	210 x 1260 x 100	1 x 1200mm 36w T8	6.6 kg
AM312 236/WB2	310 x 1260 x 100	2 x 1200mm 36w T8	8.7 kg
AM215 158/WB2	210 x 1560 x 100	1 x 1500mm 58w T8	8.3 kg
AM315 258/WB2	310 x 1560 x 100	2 x 1500mm 58w T8	11.0 kg
AM66 318/WB2	610 x 650 x 100	3 x 600mm 18w T8	8.9 kg
AM66 418/WB2	610 x 650 x 100	4 x 600mm 18w T8	9.2 kg
AM612 336/WB2	610 x 1260 x 100	3 x 1200mm 36w T8	14.1 kg
AM612 436/WB2	610 x 1260 x 100	4 x 1200mm 36w T8	15.4 kg

Change WB2 suffix to alternative if required e.g. AM312 236/WB2 becomes AM312 236/PDP

EMERGENCY Add suffix to above catalogue references

/M3 Integrally mounted self contained 3 hour emergency

/ST Integral 'Self Test' for emergency luminaires only
i.e. AM66 318/WB2/M3/ST

The 'ET' range of recessed modular Exposed T ceiling luminaires are designed for compatibility with 15mm and 24mm T grid ceiling systems.

The canopy is constructed from zintec sheet steel finished gloss white.

Fused high frequency control gear is offered as standard with analogue or digital dimmable control gear optional.

Four louvre attachments are available as standard including a low iridescent specular (Cat.2 200) and semi specular (Cat.2 500).

Low iridescent aluminium wedge louvres to match lamp configuration retained by positive lift and tilt location. For lower specification areas a moulded polycarbonate Tp (a) dish controller is available.



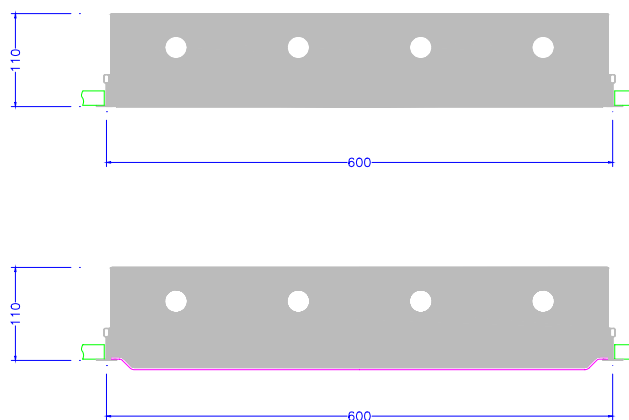
SPECIFICATION

Body

- Solidly constructed zintec sheet steel canopy finished epp gloss white
- Suitable for 15mm or 24mm T ceiling systems
- Integral fused high frequency control gear
- Alternative gear options available
- Luminaire shown ET66 418HF WB2 24

Options

- **WB2** : 200 cd. specular wedge louvre
- **WB5** : 500 cd. semi specular wedge louvre
- **WSW** : Semi specular wedge with white reflector louvre
- **WBL** : White blade with semi specular reflector louvre
- **PDP** : Polycarbonate Tp (a) prismatic dish diffuser
- **PSP** : Polycarbonate Tp (a) prismatic sheet diffuser
- **AH** : 25 litres per second air handling (on louvred versions)
- **15T** : 15mm exposed T ceiling grid
- **24T** : 24mm exposed T ceiling grid



Cat. No.	Nom. Dimensions	Lampways	Approx. Wt.
ET36 218HF/WB2	300 x 600 x 110	2 x 600mm 18w T8	5.0 kg
ET312 236HF/WB2	300 x 1200 x 110	2 x 1200mm 36w T8	5.6 kg
ET315 258HF/WB2	300 x 1500 x 110	2 x 1500mm 58w T8	6.2 kg
ET318 270HF/WB2	300 x 1800 x 110	2 x 1800mm 70w T8	7.1 kg
ET66 318HF/WB2	600 x 600 x 110	3 x 600mm 18w T8	5.0 kg
ET66 418HF/WB2	600 x 600 x 110	4 x 600mm 18w T8	5.1 kg
ET612 336HF/WB2	600 x 1200 x 110	3 x 1200mm 36w T8	8.5 kg
ET612 436HF/WB2	600 x 1200 x 110	4 x 1200mm 36w T8	8.7 kg

Change WB2 suffix to alternative if required e.g. ET66 318HF/WB2 24 becomes ET66 318HF/PDP 24

EMERGENCY Add suffix to above catalogue references

/M3 Integrally mounted self contained 3 hour emergency

/ST Integral 'Self Test' for emergency luminaires only
i.e. ET66 318HF/WB2/M3/ST

The 'CG' range of quality recessed modular luminaires are designed for compatibility with most concealed grid ceiling types offering the interior designer an ideal solution with the highest degree of visual comfort.

The canopy is constructed from zintec sheet steel finished RAL9010 20% gloss.

Fused high frequency control gear is offered as standard with analogue or digital dimmable control gear optional.

Four louvre attachments are available as standard including a low iridescent specular (Cat.2 200) and semi specular (Cat.2 500).

Miro wedge louvres to match lamp configuration retained by positive locating spring clips offer up to 10% greater Light Output Ratio . For lower specification areas a one piece polycarbonate Tp (a) dish controller is available with an additional IP54 rating available for more arduous areas.



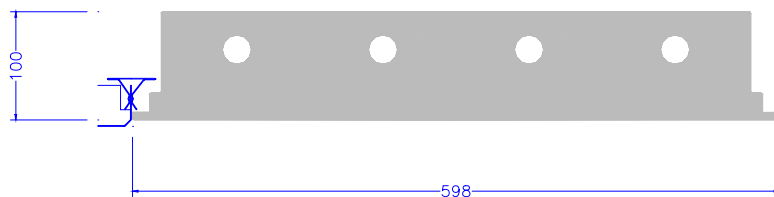
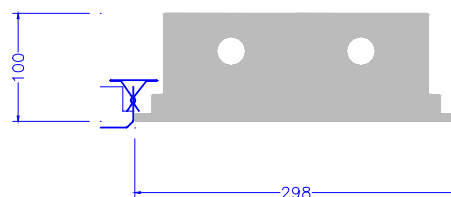
SPECIFICATION

Body

- Solidly constructed zintec sheet steel canopy finished RAL9010 20% gloss
- Easy to use side suspension brackets
- Compatible with most ceiling types
- Integral fused high frequency control gear
- Alternative gear options available
- Luminaire shown CG66 318HF WB2

Options

- **WB2** : 200 cd. specular wedge louvre
- **WB5** : 500 cd. semi specular wedge louvre
- **WSW** : Semi specular wedge with white reflector louvre
- **WBL** : White blade with semi specular reflector louvre
- **PDP** : Polycarbonate Tp (a) prismatic dish diffuser
- **IP54** : Sealed to IP54 requirements
- **AH** : 25 litres per second air handling (on louvred versions)



Cat. No.	Dimensions	Lampways	Approx. Wt.
CG36 218HF/WB2	298 x 598 x 100	2 x 600mm 18w T8	5.0 kg
CG312 236HF/WB2	298 x 1198 x 100	2 x 1200mm 36w T8	6.4 kg
CG315 258HF/WB2	298 x 1498 x 100	2 x 1500mm 58w T8	7.9 kg
CG318 270HF/WB2	298 x 1798 x 100	2 x 1800mm 70w T8	8.8 kg
CG66 318HF/WB2	598 x 598 x 100	3 x 600mm 18w T8	6.0 kg
CG66 418HF/WB2	598 x 598 x 100	4 x 600mm 18w T8	6.1 kg
CG612 336HF/WB2	598 x 1198 x 100	3 x 1200mm 36w T8	11.0 kg
CG612 436HF/WB2	598 x 1198 x 100	4 x 1200mm 36w T8	11.2 kg

Change WB2 suffix to alternative if required e.g. CG66 318HF/WB2 becomes CG66 318HF/PDP

EMERGENCY Add suffix to above catalogue references

/M3 Integrally mounted self contained 3 hour emergency

/ST Integral 'Self Test' for emergency luminaires only
i.e. CG66 318HF/WB2/M3/ST

The 'DIS' and 'DSSF' ranges of surface 'Direct / Indirect' luminaires have been created to optimise the advantages of T5 lamp technology.

The canopy is constructed from rolled zintec sheet steel with a profiled perforated lamp shield and finished RAL9010 20% gloss. Alternative paint finishes available on request.

Fused high frequency control gear is offered as standard with analogue or digital dimmable control gear optional. High output T5 lampways are also available.

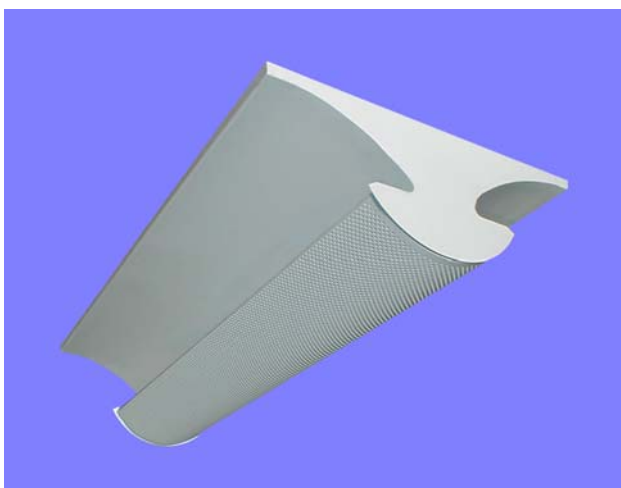
The micro perforated lamp shield is finished to match canopy as standard, but also available in specular or semi specular aluminium and retained without the use of tooling. For reduced glare and maintenance purposes a wipe clean opal polycarbonate Tp (a) plexi lens is retained within the lamp shield.



SPECIFICATION

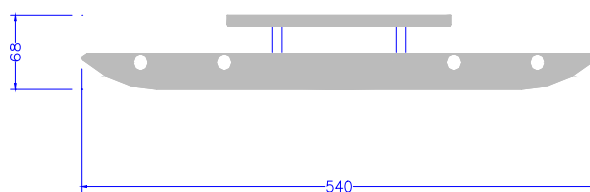
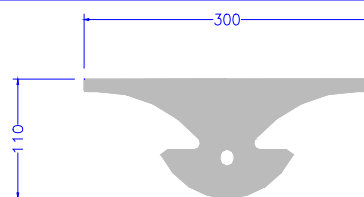
Body

- Rigidly constructed body with laser cut ends
- Integral fused high frequency control gear
- Alternative gear options available
- Luminaires shown : DSSF66 414 WBL (top) DIS123 228 (bottom)
- Diffused perforated basket



Options

- **SSB** : Semi specular aluminium perforated basket
- **PSS** : Specular aluminium perforated basket
- **WB** : Specular Miro wedge louvre attachment
- **WBL** : White blade with semi specular reflector louvre



Cat. No.	Dimensions	Lampways	Approx. Wt.
DIS123 128	300 x 1195 x 110	1 x 1200mm 28w T5	6.4 kg
DIS123 228	300 x 1195 x 110	2 x 1200mm 28w T5	6.5 kg
DIS153 135	300 x 1495 x 110	1 x 1500mm 35w T5	8.2 kg
DIS153 235	300 x 1495 x 110	2 x 1500mm 35w T5	8.3 kg
DSSF66 314 WB	540 x 599 x 68	3 x 600mm 14w T5	5.3 kg
DSSF66 414 WB	540 x 599 x 68	4 x 600mm 14w T5	5.3 kg
DSSF612 328 WB	540 x 1199 x 68	3 x 1200mm 28w T5	10.3 kg
DSSF612 428 WB	540 x 1199 x 68	4 x 1200mm 28w T5	10.3 kg

Add suffix to alternative if required e.g. DIS123 128 becomes DIS123 128 SSB

EMERGENCY Add suffix to above catalogue references

/M3 Integrally mounted self contained 3 hour emergency

/ST Integral 'Self Test' for emergency luminaires only
i.e. DIS123 128/M3/ST

The 'DIR' range of recessed modular Direct / Indirect luminaires are designed for compatibility with most popular ceiling systems and providing added visual interest combined with well controlled luminance.

The canopy is constructed from zintec sheet steel finished white RAL9010 20% gloss polyester powder paint.

Fused high frequency control gear is offered as standard with analogue or digital dimmable control gear optional; all being accessible from within the canopy.

Four louvre options are available as standard including a Miro low iridescent specular (Cat.2 200) and semi specular (Cat.2 500) wedge cross blade louvre retained by positive locating leaf spring clips. The louvre is flanked each side by a gently curved diffused micro perforated baffle allowing a soft toned and added visual appearance.



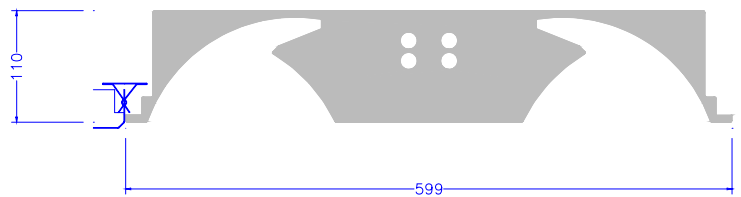
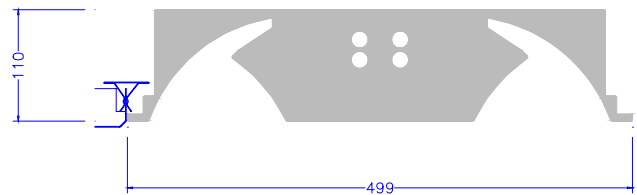
SPECIFICATION

Body

- Body compatible with 15mm, 24mm exposed T and sprung T ceiling systems
- Enclosed solidly constructed body
- Integral fused high frequency control gear
- Alternative gear options available
- Luminaire shown DIR66 255 WB2
- Air handling available
- Light trap around louvre aperture eliminates light spill
- End diaphragms to hide lamp end caps
- Positive retention by spring clips

Louvre

- **WB2** : 200 cd. specular Miro wedge louvre
- **WB5** : 500 cd. semi specular wedge louvre
- **WSW** : Semi specular wedge with white reflector louvre
- **WBL** : White blade with semi specular reflector louvre



Cat. No.	Dimensions	Lampways	Approx. Wt
DIR55 136/WB2	499 x 499 x 110	1 x 36w TC-L	5.2 kg
DIR55 236/WB2	499 x 499 x 110	2 x 36w TC-L	5.2 kg
DIR66 140/WB2	599 x 599 x 110	1 x 40w TC-L	6.5 kg
DIR66 240/WB2	599 x 599 x 110	2 x 40w TC-L	6.5 kg
DIR66 155/WB2	599 x 599 x 110	1 x 55w TC-L	6.5 kg
DIR66 255/WB2	599 x 599 x 110	2 x 55w TC-L	6.5 kg

Change WB2 suffix to alternative if required e.g. DIR66 240/WB2 becomes DIR66 240/WBL

EMERGENCY Add suffix to above catalogue references

/M3 Integrally mounted self contained 3 hour emergency

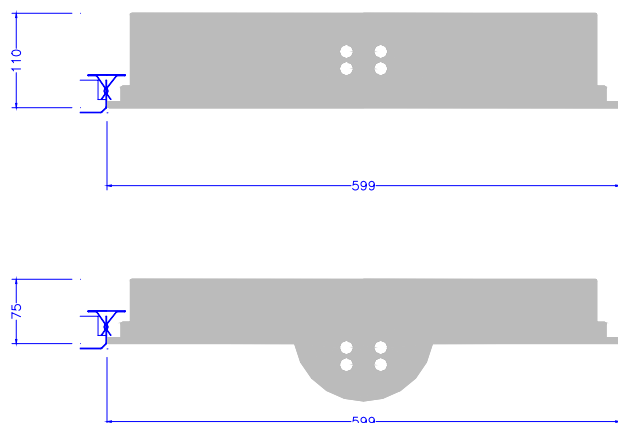
/ST Integral 'Self Test' for emergency luminaires only
i.e. DIR66 255 WB2/M3/ST

The 'DIR' range of recessed modular Direct / Indirect luminaires offer added visual appearance for modern interiors such as offices, canteens, foyers and corridors. Flexibility is maintained as luminaires are designed for compatibility with most popular ceiling systems.

The canopy is constructed from either zintec sheet steel as standard or 0.8mm thick aluminium sheet finished RAL9010 20% gloss polyester powder paint.

Fused high frequency control gear is offered as standard with analogue or digital dimmable control gear optional ; all being accessible from within the canopy.

Two versions are offered, 'PDB' (Perforated Dropped Basket) and 'PB' (flush Perforated Basket). The lamps are shrouded by a diffused profiled micro perforated 'Basket' retained to the luminaire by sprung action and provide for an ideal solution to economic direct indirect lighting of interiors.



SPECIFICATION

Body

- Body compatible with 15mm, 24mm exposed T and sprung T ceiling systems
- Enclosed solidly constructed zintec steel or aluminium body
- All bodies with welded and finished corners
- Integral fused high frequency control gear
- Alternative gear options available
- Luminaire shown DIR66 155 PB
- Air handling available

Basket

- Micro perforated
- Projected or flush to ceiling line
- Positive retention by spring clips

Options

- Welded aluminium body prefix luminaire reference with "A"

Cat. No.	Dimensions	Lampways	Approx. Wt
DIR55 136/PB	499 x 499 x 110	1 x 36w TC-L	5.4 kg
DIR55 236/PB	499 x 499 x 110	2 x 36w TC-L	5.4 kg
DIR66 140/PB	599 x 599 x 110	1 x 40w TC-L	6.7 kg
DIR66 240/PB	599 x 599 x 110	2 x 40w TC-L	6.7 kg
DIR66 155/PB	599 x 599 x 110	1 x 55w TC-L	6.7 kg
DIR66 255/PB	599 x 599 x 110	2 x 55w TC-L	6.7 kg
DIR55 136/PDB	499 x 499 x 75	1 x 36w TC-L	5.4 kg
DIR55 236/PDB	499 x 499 x 75	2 x 36w TC-L	5.4 kg
DIR66 140/PDB	599 x 599 x 75	1 x 40w TC-L	6.7 kg
DIR66 240/PDB	599 x 599 x 75	2 x 40w TC-L	6.7 kg
DIR66 155/PDB	599 x 599 x 75	1 x 55w TC-L	6.7 kg
DIR66 255/PDB	599 x 599 x 75	2 x 55w TC-L	6.7 kg

EMERGENCY Add suffix to above catalogue references

/M3 Integrally mounted self contained 3 hour emergency

/ST Integral 'Self Test' for emergency luminaires only
i.e. DIR66 255 PDB/M3/ST

The 'PAC' range of surface mounted IP65 sealed fluorescent corrosion resistant luminaires are designed to withstand wet or dirty atmospheres and applications where frequent cleaning is necessary.

The GRP body with a closed cell neoprene gasket is positively retained to the acrylic or polycarbonate diffuser by means of 3 part polycarbonate clamps. Alternative stainless steel tamper proof clamps are available for vandal resistant applications.

Fused high frequency control gear is offered as standard with analogue or digital dimmable control gear optional.



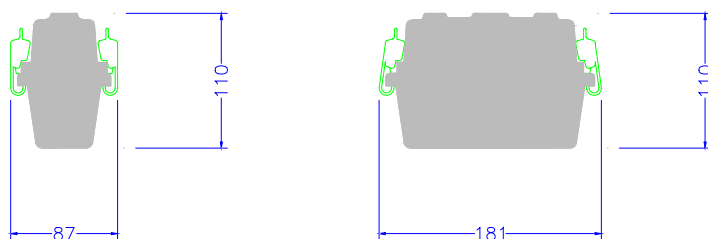
SPECIFICATION

Body

- Glass Reinforced Plastic resin canopy
- Tough and corrosion resistant
- Cable entry through rear of canopy or from either end
- Closed cell neoprene gasket
- Integral fused high frequency control gear
- Alternative gear options available
- Luminaires shown PAC PI 236 and PAC PI 136
- Seal maintained via polycarbonate clamps
- Vandal resistant stainless steel clamps available

Diffuser

- **PAC** : Acrylic vacuum formed dimpled diffuser
- **PAC PI** : Polycarbonate injection moulded external prism diffuser.
- **SS** : Stainless steel clamps.



Cat. No.	Dimensions	Lampways	Approx. Wt
PAC 118	87 x 685 x 110	1 x 600mm 18w	1.9 kg
PAC 136	87 x 1270 x 110	1 x 1200mm 36w	2.5 kg
PAC 158	87 x 1570 x 110	1 x 1500mm 58w	3.3 kg
PAC 170	110 x 1850 x 125	1 x 1800mm 70w	4.4 kg
PAC 218	181 x 685 x 110	2 x 600mm 18w	2.9 kg
PAC 236	181 x 1270 x 110	2 x 1200mm 36w	4.4 kg
PAC 258	181 x 1570 x 110	2 x 1500mm 58w	5.5 kg
PAC 270	181 x 1850 x 125	2 x 1800mm 70w	7.2 kg
PAC PI 118	87 x 685 x 110	1 x 600mm 18w	1.9 kg
PAC PI 136	87 x 1270 x 110	1 x 1200mm 36w	2.5 kg
PAC PI 158	87 x 1570 x 110	1 x 1500mm 58w	3.3 kg
PAC PI 170	110 x 1850 x 125	1 x 1800mm 70w	4.4 kg
PAC PI 218	181 x 685 x 110	2 x 600mm 18w	2.9 kg
PAC PI 236	181 x 1270 x 110	2 x 1200mm 36w	4.4 kg
PAC PI 258	181 x 1570 x 110	2 x 1500mm 58w	5.5 kg
PAC PI 270	181 x 1850 x 125	2 x 1800mm 70w	7.2 kg

EMERGENCY Add suffix to above catalogue references

/M3 Integrally mounted self contained 3 hour emergency

/ST Integral 'Self Test' for emergency luminaires only
i.e. PAC 258/M3/ST

The 'DP.SM' range of surface mounted IP65 sealed fluorescent dustproof luminaires are designed to meet the requirements of cleanrooms, food processing areas and sterile environments.

The body is constructed from zintec sheet steel with welded seams and finished epp gloss white. Special paint finishes available on request. Alternative satin finished Stainless Steel luminaires are available on request.

Four louvre attachments are available as standard complete with a sealed flush fitting clear polycarbonate Tp (a) rated panel. All attachments are retained within a one piece frame secured to the body via self locating threaded fasteners. Alternative stainless steel tamper proof fixings are available for vandal resistant applications.



Fused high frequency control gear is offered as standard for high efficiency (HE) T5 lamps or high output (HO) T5 lamps for additional light output. with analogue or digital dimmable control gear optional.

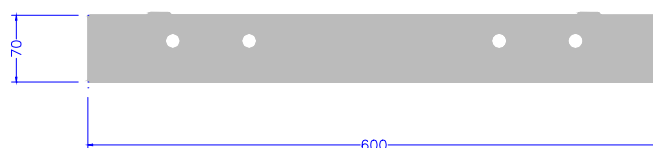
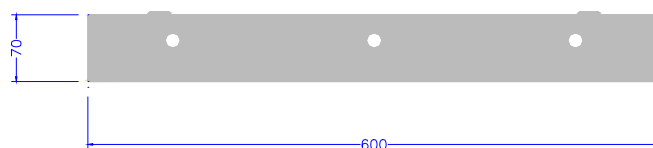
SPECIFICATION

Body

- Solidly constructed zintec sheet steel canopy finished gloss white.
- Alternative Stainless Steel sealed body available add prefix : SS
- IP65 rated (jet proof and dustproof)
- Integral fused high frequency control gear
- Alternative gear options available
- Luminaires shown DP.SM66 3x114 WB2
- Vandal resistant stainless steel fixings available

Options

- **WB2** : 200 cd. specular Miro wedge louvre complete with a clear polycarbonate underpanel.
- **WB5** : 500 cd. semi specular wedge louvre complete with a clear polycarbonate underpanel.
- **WSW** : Semi specular wedge with white reflector louvre complete with a clear polycarbonate underpanel.
- **WBL** : White blade with semi specular reflector louvre complete with a clear polycarbonate underpanel.
- **PSP** : Polycarbonate prismatic controller complete with a clear polycarbonate underpanel.
- **PVD** : Virtual Daylight panel controller complete with a clear polycarbonate underpanel.



Cat. No.	Dimensions	Lampways	Approx. Wt.
DP.SM123 128 WB2	300 x 1200 x 70	1 x 1200mm 28w	7.0 kg
DP.SM123 228 WB2	300 x 1200 x 70	2 x 1200mm 28w	7.1 kg
DP.SM153 135 WB2	300 x 1500 x 70	1 x 1500mm 35w	9.0 kg
DP.SM153 235 WB2	300 x 1500 x 70	2 x 1500mm 35w	9.1 kg
DP.SM66 314 WB2	600 x 600 x 70	3 x 600mm 14w	6.3 kg
DP.SM66 414 WB2	600 x 600 x 70	4 x 600mm 14w	6.4 kg
DP.SM66 3x114 WB2	600 x 600 x 70	3x1 600mm 14w	6.4 kg
DP.SM66 2x214 WB2	600 x 600 x 70	2x2 600mm 14w	6.5 kg
DP.SM612 328 WB2	600 x 1200 x 70	3 x 1200mm 28w	12.6 kg
DP.SM612 428 WB2	600 x 1200 x 70	4 x 1200mm 28w	12.8 kg
DP.SM612 3x128 WB2	600 x 1200 x 70	3x1 1200mm 28w	12.8 kg
DP.SM612 2x228 WB2	600 x 1200 x 70	2x2 1200mm 28w	13.0 kg

Change WB2 suffix to alternative if required e.g. DP.SM66 2x214/WB2 becomes DP.SM66 2x214/PSP

EMERGENCY Add suffix to above catalogue references

/M3 Integrally mounted self contained 3 hour emergency

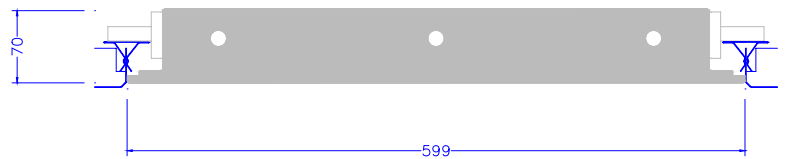
/ST Integral 'Self Test' for emergency luminaires only i.e. DP.SM123 228/M3/ST

The 'DP.CG' range of recessed IP65 sealed fluorescent dustproof luminaires are designed to meet the requirements of cleanrooms, food processing areas and sterile environments.

The body is constructed from zintec sheet steel with welded seams and finished epp gloss white. Special paint finishes available on request

Four louvre attachments are available as standard complete with a sealed flush fitting clear polycarbonate Tp (a) rated panel. All attachments are retained within a one piece frame secured to the body via self locating threaded fasteners. Alternative stainless steel tamper proof fixings are available for vandal resistant applications.

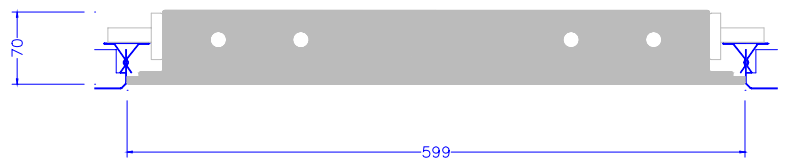
Fused high frequency control gear is offered as standard for high efficiency (HE) T5 lamps or high output (HO) T5 lamps for additional light output. with analogue or digital dimmable control gear optional.



SPECIFICATION

Body

- Solidly constructed zintec sheet steel canopy finished gloss white.
- IP65 rated (jet proof and dustproof)
- Integral fused high frequency control gear
- Alternative gear options available
- Luminaires shown DP.CG66 3x114 WB2
- Vandal resistant stainless steel fixings available
- Suitable for most ceiling types



Options

- **WB2** : 200 cd. specular Miro wedge louvre complete with a clear polycarbonate underpanel.
- **WB5** : 500 cd. semi specular wedge louvre complete with a clear polycarbonate underpanel.
- **WSW** : Semi specular wedge with white reflector louvre complete with a clear polycarbonate underpanel.
- **WBL** : White blade with semi specular reflector louvre complete with a clear polycarbonate underpanel.
- **PSP** : Polycarbonate prismatic controller complete with a clear polycarbonate underpanel.
- **PVD** : Virtual Daylight panel controller complete with a clear polycarbonate underpanel.

Cat. No.	Dimensions	Lampways	Approx.
DP.CG123 128 WB2	299 x 1199 x 70	1 x 1200mm 28w	7.0 kg
DP.CG123 228 WB2	299 x 1199 x 70	2 x 1200mm 28w	7.1 kg
DP.CG153 135 WB2	299 x 1499 x 70	1 x 1500mm 35w	9.0 kg
DP.CG153 235 WB2	299 x 1499 x 70	2 x 1500mm 35w	9.1 kg
DP.CG66 314 WB2	599 x 599 x 70	3 x 600mm 14w	6.3 kg
DP.CG66 414 WB2	599 x 599 x 70	4 x 600mm 14w	6.4 kg
DP.CG66 3x114 WB2	599 x 599 x 70	3x1 600mm 14w	6.4 kg
DP.CG66 2x214 WB2	599 x 599 x 70	2x2 600mm 14w	6.5 kg
DP.CG612 328 WB2	599 x 1199 x 70	3 x 1200mm 28w	12.6 kg
DP.CG612 428 WB2	599 x 1199 x 70	4 x 1200mm 28w	12.8 kg
DP.CG612 3x128 WB2	599 x 1199 x 70	3x1 1200mm 28w	12.8 kg
DP.CG612 2x228 WB2	599 x 1199 x 70	2x2 1200mm 28w	13.0 kg

Change WB2 suffix to alternative if required e.g. DP.CG66 2x214/WB2 becomes DP.CG66 2x214/PSP

EMERGENCY Add suffix to above catalogue references

/M3 Integrally mounted self contained 3 hour emergency

/ST Integral 'Self Test' for emergency luminaires only
i.e. DP.CG123 228 WB2/M3/ST

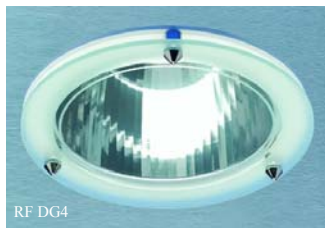
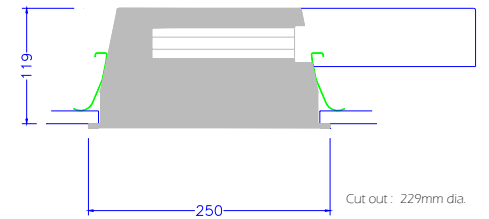
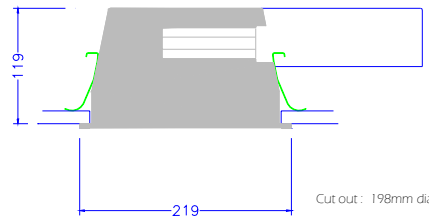
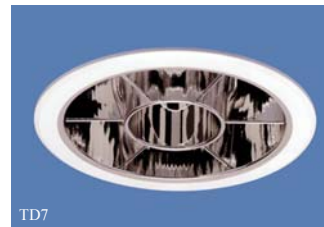
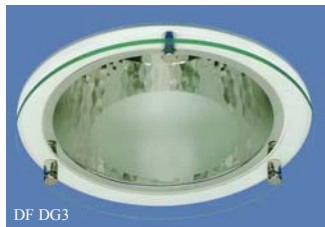
The CMR and CMS range of recessed and surface compact luminaires are ideally suited for retail and commercial applications where a neat visual appearance is paramount.

The CMR luminaires have a one piece bezel trim finished RAL 9010 as standard with additional finishes available to order, and retains a vertical or diamond faceted or smooth finished specular aluminium reflector providing a compact and versatile luminaire.

The CMS luminaire has a polycarbonate moulded diffuser with a white trim as standard, alternative finishes available.

Quick fit suspension clips allow for an easy and positive retention within most ceiling types and fused high frequency control gear offered as standard with analogue or digital dimmable control gear available to order.

Decorative accessories can be incorporated with an additional suffix as indicated below, with further IP44 and IP54 versions available to suit more arduous locations.



Cat. No.	Dia.	Lampways	Recess Depth	Approx Wt.
CMR15 113 DF	150	1 x 13w PLC	119	0.8 kg
CMR15 118 DF	150	1 x 18w PLC	119	0.8 kg
CMR15 126 DF	150	1 x 26w PLC	119	0.8 kg
CMR22 113 DF	219	1 x 13w PLC	119	1.0 kg
CMR22 118 DF	219	1 x 18w PLC	119	1.0 kg
CMR22 126 DF	219	1 x 26w PLC	119	1.0 kg
CMR22 213 DF	219	2 x 13w PLC	119	1.3 kg
CMR22 218 DF	219	2 x 18w PLC	119	1.3 kg
CMR22 226 DF	219	2 x 26w PLC	119	1.3 kg
CMR25 118 DF	250	1 x 18w PLC	119	1.5 kg
CMR25 126 DF	250	1 x 26w PLC	119	1.5 kg
CMR25 218 DF	250	2 x 18w PLC	119	1.8 kg
CMR25 226 DF	250	2 x 26w PLC	119	1.8 kg
CMS400 218	425	2 x 18w PLC		3.0 kg
CMS400 226	425	2 x 26w PLC		3.0 kg
DF	Diamond Facet		DG1	Clear Dropped Glass
RF	Ribbed Facet		DG2	Clear Dropped Glass Ring
SS	Smooth Specular		DG3	Clear Dropped Glass with etched centre
TD4	Turbo 4 cell		DG4	Etched Dropped Glass Ring
TD7	Turbo 7 cell		DG5	Etched Dropped Glass
TD7 LV35	Turbo 7 cell with 35w Low Voltage			

- EMERGENCY** Add suffix to above catalogue references
- /RM3** Remote mounted self contained 3 hour emergency
- /M3** Integral self contained emergency (CMS only)
- /ST** Integral 'Self Test' for emergency luminaires only
i.e. CMR22 126 DF/RM3/ST

The range of Bijou recessed and wall mounted compact fluorescent luminaires are designed for circulation, office and commercial interiors where a neat alternative visual appearance is paramount.

The canopy is constructed from zintec sheet steel finished RAL 9010 and supplied with fused high frequency control gear as standard.

On recessed Bijou 'BJ' luminaires a specular Miro wedge louvre is offered as standard with additional decorative accessories available.

Wall mounted 'BJWL' and 'BJW' Bijou luminaires are offered with a specular louvre as shown to provide 70% DLOR or an artistically perforated opening with a 30% DLOR creating a decorative ambiance to circulation areas and office interiors.

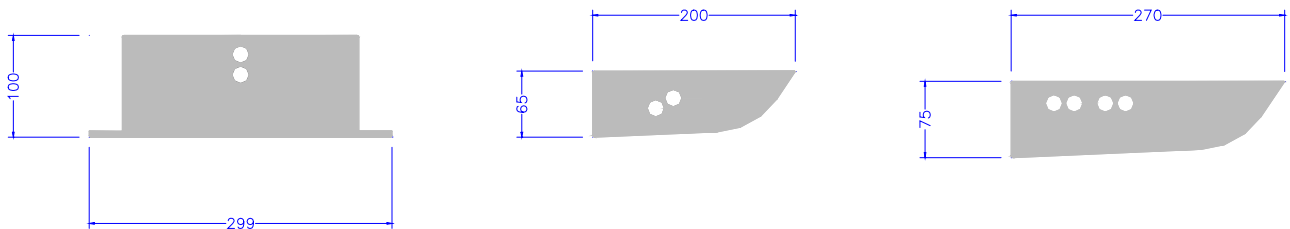


SPECIFICATION

- Solidly constructed zintec sheet steel canopy finished RAL 9010
- Integral fused high frequency control gear
- Alternative gear options available
- Luminaires shown BJWL26 255 (top) and BJW26 155 (middle) BJ36 140 WB (bottom)
- Integration with metal tile ceiling systems

Options

- **P5** : Micro perforated sides (Recessed BJ luminaires)
- **DG1** : Clear Dropped Glass attachment



Cat. No.	Dimensions	Lampways	Approx. Wt
BJ35 136/WB	299 x 499 x 100	1 x 36w TC-L	3.5 kg
BJ36 140/WB	299 x 599 x 100	1 x 40w TC-L	3.6 kg
BJ36 155/WB	299 x 599 x 100	1 x 55w TC-L	3.6 kg
BJ33 282D/MCL	298 x 298 x 100	1 x 28w 2D	3.0 kg
BJ33 382D/MCL	298 x 298 x 100	1 x 38w 2D	3.0 kg
BJW25 136	200 x 500 x 65	1 x 36w TC-L	3.2 kg
BJW26 140	200 x 600 x 65	1 x 40w TC-L	3.4 kg
BJW26 155	200 x 600 x 65	1 x 55w TC-L	3.4 kg
BJW25 236	200 x 500 x 65	2 x 36w TC-L	3.2 kg
BJW26 240	200 x 600 x 65	2 x 40w TC-L	3.4 kg
BJW26 255	200 x 600 x 65	2 x 55w TC-L	3.4 kg

EMERGENCY Add suffix to above catalogue references

/M3 Integrally mounted self contained 3 hour emergency
/ST Integral 'Self Test' for emergency luminaires
 i.e. BJ36 140 WB/M3/ST

The DID, D.DID and DSF recessed architectural fluorescent luminaires are designed for compliance with LG3a applications while maintaining a neat elegant alternative visual appearance.

The canopy is constructed from zintec sheet steel finished RAL9010 30% gloss and supplied with fused high frequency control gear as standard; HO T5 lampways also available.

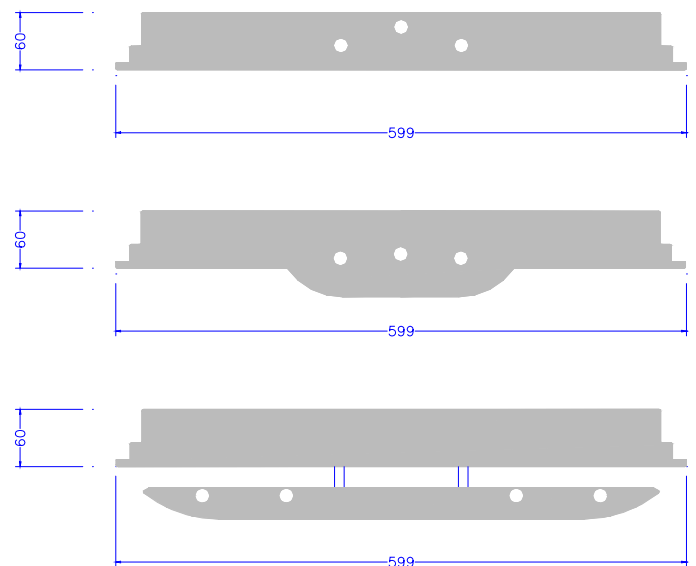
A specular Miro wedge louvre or a polarised virtual daylight controller are offered as standard with additional decorative accessories available on request. Luminaires can be incorporated with additional IP44 or IP54 attachments to suit more arduous locations.



SPECIFICATION

Body

- Solidly constructed zintec sheet steel canopy finished RAL9010 30% gloss
- Easy to use side suspension brackets
- Integral fused high frequency control gear
- Alternative gear options available
- Luminaire shown : DSF66 414 WBL (top) DID66 314 WB (bottom)
- Internal specular aluminium lamp reflector



Options

- **PPL :** Polarised polycarbonate lens
- **WB :** Specular Miro wedge louvre attachment
- **WBL :** White blade with semi specular reflector louvre
- **D :** Prefix for 'Dropped' central basket on 'DID' luminaires

Photometric details available on request.

Cat. No.	Dimensions	Lampways	Approx. Wt
DID55 136 WB	499 x 499 x 90	1 x 36w TC-L	4.7 kg
DID55 236 WB	499 x 499 x 90	2 x 36w TC-L	4.8 kg
DID66 140 WB	599 x 599 x 90	1 x 40w TC-L	5.2 kg
DID66 155 WB	599 x 599 x 90	1 x 55w TC-L	5.2 kg
DID66 240 WB	599 x 599 x 90	2 x 40w TC-L	5.3 kg
DID66 255 WB	599 x 599 x 90	2 x 55w TC-L	5.3 kg
DID66 314 WB	599 x 599 x 60	3 x 600mm 14w T5	5.3 kg
DID66 414 WB	599 x 599 x 60	4 x 600mm 14w T5	5.3 kg
DID612 328 WB	599 x 1199 x 60	3 x 1200mm 28w T5	10.3 kg
DID612 428 WB	599 x 1199 x 60	4 x 1200mm 28w T5	10.3 kg
DSF66 314 WB	599 x 599 x 60	3 x 600mm 14w T5	5.3 kg
DSF66 414 WB	599 x 599 x 60	4 x 600mm 14w T5	5.3 kg
DSF612 328 WB	599 x 1199 x 60	3 x 1200mm 28w T5	10.3 kg
DSF612 428 WB	599 x 1199 x 60	4 x 1200mm 28w T5	10.3 kg

EMERGENCY Add suffix to above catalogue references

/M3 Integrally mounted self contained 3 hour emergency

/ST Integral 'Self Test' for emergency luminaires only i.e. DID66 140 WB/M3/ST

Creative lighting in conjunction with design flair can open up new interiors whilst still allowing compliance with the LG3a requirements.

The Axis range of suspended luminaires offers and meets these requirements. The 'Axis I' (AX1) canopy is constructed from perforated zintec sheet steel with welded ends; the 'Axis II' (AX2) canopy is constructed from an aluminium extrusion ; both available RAL9010 or mercury silver.

All luminaires are supplied with high frequency control gear for the main fluorescent component and a separately fused circuit to operate 2 x 'adjustable' or 'fixed' mains voltage LED luminaires as standard. Alternative gear and lampway arrangements available to suit individual requirements.

Continuous mounting can be implemented by end to end fixing or dummy infill sections made to measure.

A white micro perforated and specular wedge attachments are offered as standard with alternative decorative accessories available.



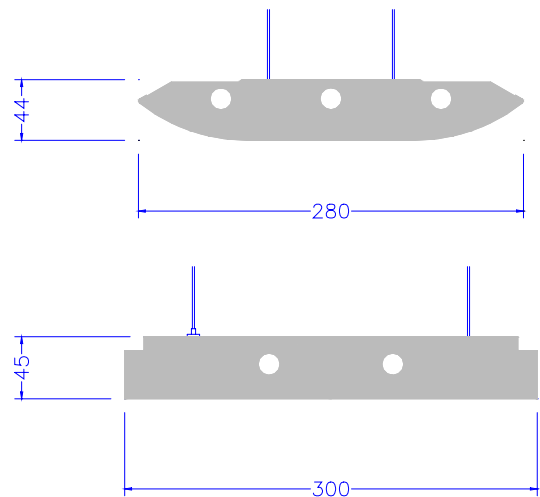
SPECIFICATION

Body

- **AX1** luminaires with rolled zintec sheet steel
- **AX2** luminaires with extruded aluminium
- Integral fused high frequency control gear
- Alternative gear options available
- Luminaire shown AX2 228 2AWD SP
- Spiderpak wire suspension available. (Details on Page 1)

Options

- **2AWD** : Two integral adjustable White LED luminaires
- **2ARD** : Two integral adjustable Red LED luminaires
- **2AGD** : Two integral adjustable Green LED luminaires
- **2ABD** : Two integral adjustable Blue LED luminaires
- **P5** : Micro perforated diffused controller
- **PPL** : Virtual Daylight polarised polycarbonate lens
- **WB** : Specular wedge louvre attachment
- **SP** : Full length linear side prisms.



Cat. No.	Dimensions	Lampways	Approx. Wt
AX1 128	280 x 1200 x 44	1 x 28w T5	6.6 kg
AX1 328	280 x 1200 x 44	3 x 28w T5	6.7 kg
AX1 135	280 x 1500 x 44	1 x 35w T5	8.5 kg
AX1 335	280 x 1500 x 44	3 x 35w T5	8.6 kg
AX2 128	300 x 1230 x 45	1 x 28w T5	6.2 kg
AX2 228	300 x 1230 x 45	2 x 28w T5	6.4 kg
AX2 135	300 x 1530 x 45	1 x 35w T5	7.9 kg
AX2 235	300 x 1530 x 45	2 x 35w T5	8.1 kg

EMERGENCY Add suffix to above catalogue references

/M3 Integrally mounted self contained 3 hour emergency

/ST Integral 'Self Test' for emergency luminaires only
i.e. AX2 228 2AWD/M3/ST

